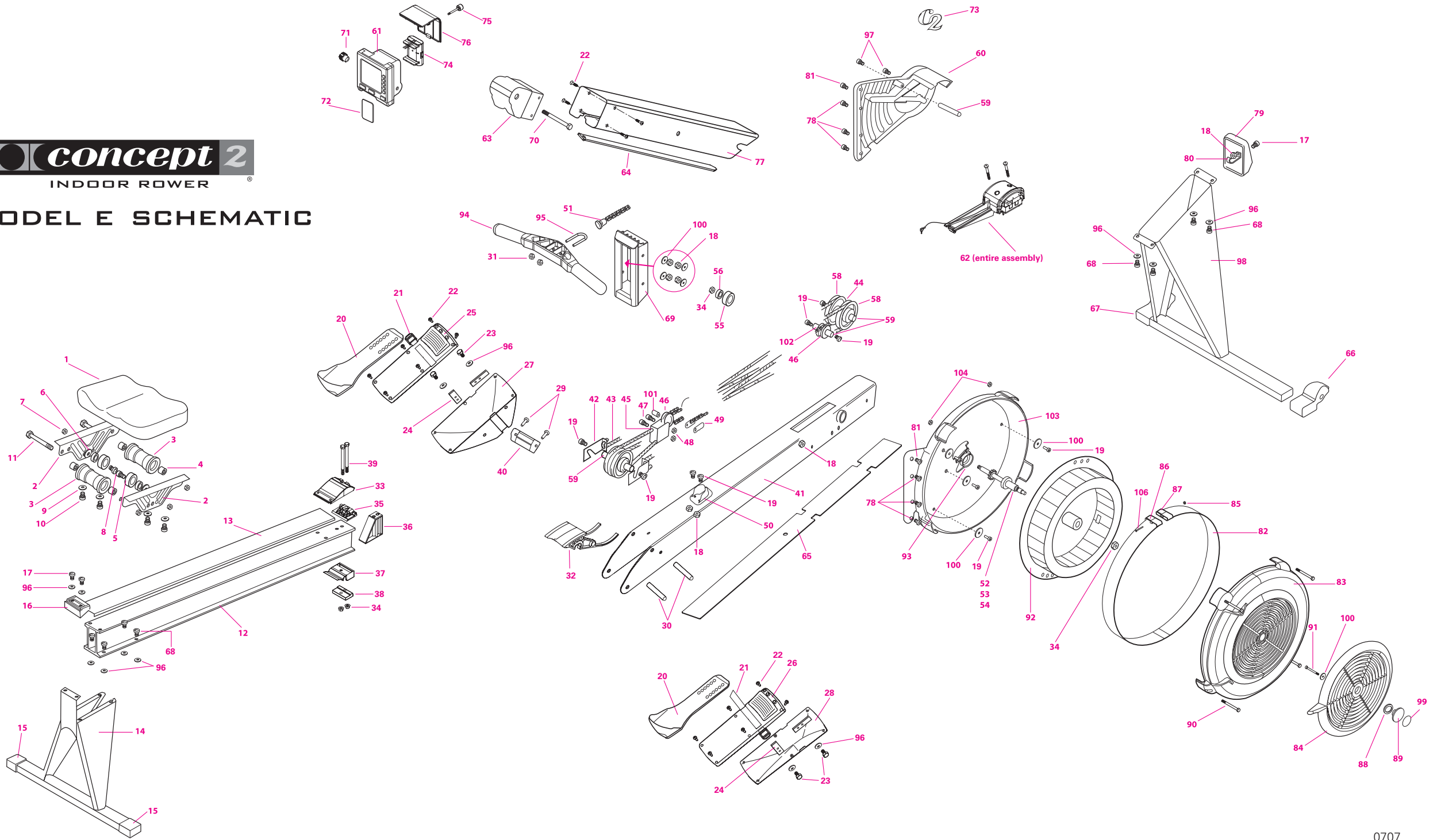




# MODEL E SCHEMATIC



ID#	PN	Description
1	1929	Seat Top w/screws
2	1138	Seat Carriage Left
	1137	Seat Carriage Right
3	1724	Top Roller
4	1302	Seat Spacer
5	1725	Bottom Roller
6	125	Washer 3/8
7	1209	Nut 3/8 - 16 BC Nylock
8	1208	Screw 3/8 - 16 x 1.25 Low Profile SH
9	1246	#10 External Lock Washer
10	1207	Screw SL HWMS 10/24 x 1/2 Patch
11	1211	Screw 3/8 - 16 x 4.5 BC
12	1955	Monorail with Track Assembly
13	1762	Track/Tape Assembly w/Rivet
14	1971	Rear Leg with Feet
15	1044	Rear Foot D/E
16	1008	Rear Bumper
17	1248	Screw 1/4 - 20 x 3/4 SS Buttonhead C/D/E
18	1213	1/4 20 Nut
19	1231	Screw 1/4 - 20 x 1/2 SS Buttonhead Patch C/D/E
20	1063	Flexfoot Grey D/E
21	1517	Footstrap with Buckle (one per side)
22	1241	10 x 1/2 TFS screw
23	1243	1/4 - 20 x 5/8 HCS GR .5 ZP
24	1139	Reinforcing Bracket (two per side)
25	1055	Cover Foot Stretcher Left
26	1054	Cover Foot Stretcher Right
27	1057	Belly Left Footstretcher
28	1056	Belly Right Footstretcher
29	1242	10 x 3/4 TFS screw
30	1101	Hanger Shaft Threaded
31	1235	Nut 1/4 - 20 Nylock SS
32	1041	Mouse
33	1038	Upper Hanger Plastic
34	1244	3/8 - 16 ZP Nylock Zinc
35	1153	Upper Die Cast Hanger
36	1062	Monorail Bolt Support
37	1039	Lower Hanger Plastic
38	1154	Lower Die Cast Hanger
39	1204	Screw 3/8 - 16 x 5.5 ZP GR5
40	1037	Compression Member
41	1140	Box Frame E
42	1104	SCAM
43	1731	Shock Cord
44	1310	SC Pulley Spacer
45	1756	Traveling Pulley Assy
46	1024	Chain Idler Pulley
47	1206	Traveling Pulley Screws (x2)
48	1249	Nut 1/4 - 20 ZP Thin Nylock
49	285	Chain Connector Small
50	1058	Handle Hook Model D2/E
51	1941	Nickel Plated Chain w/connectors
52	1165	Axle
53	1163	Sprocket
54	1300	Bearing 17mm
55	1013	R8 Bearing Cup
56	232	R8 Bearing
58	1011	Shock Cord Pulley
59	1130	Axle Shock Cord/Chain Idler Pulley x 3
60	1938	Chain Housing with C2 Emblem
61	1876	PM4 Monitor
62	1887	Generator Assembly
63	1068	Monitor Mount
64	1553	E Monitor Arm Cover
65	1526	Return Mechanism Cover
66	1059	Footcaster Right
67	1060	Footcaster Left
68	1253	Screw 1/4 - 20 x 5/8 SS Buttonhead C/D/E
69	1003	Chain Guide
70	1268	HCS 3/8 x 3 SS Waxed
71	1284	Knob Monitor Mount
72	1810	Logcard with Sleeve
73	1552	C2 Nameplate Emblem
74	1493	PM4 Rechargeable Battery Pack
75	1290	Thumbscrew Battery Door
76	1456	Battery Cover PM3/4
77	1142	Monitor Arm Model E
78	1247	1/4 20 x 1 SS Button Patched
79	1009	End Cap
80	1131	End Cap Hook
81	1233	HSBH 1/4 x 20 x 1 SS unpatched
82	1912	Outlet Perf with Connectors
83	1944	Fan Cover Assy E
84	1061	Damper D2 / E
85	1275	#6 Nut Stainless Steel
86	1035	Perf Connector Screw Side
87	1036	Perf Connector Nut Side
88	1278	Wave Washer
89	1067	Hub Cap Model D2 / E
90	1276	Flywheel Cover Bolt (x4)
91	1273	Damper Screw
92	2940	Flywheel Assembly (machine made 10/30/06 or later)
93	1012	17mm Bearing Rubber Cup
94	1042	Handle
95	244	U Bolt
96	1205	Lock Washers (x10)
97	1250	1/4 - 20 x 1.5 SS Button (2)
98	1972	Front Leg and Foot with Caster E
99	1534	Label Hub Cap D/E
100	1232	Fender Washer
101	1303	Traveling Pulley Spacer
102	1305	Idler Pulley Spacer (x2)
103	1066	Flywheel Cover Back E
104	327	Nut #10 SS
106	1274	Pan PH #6 x SS